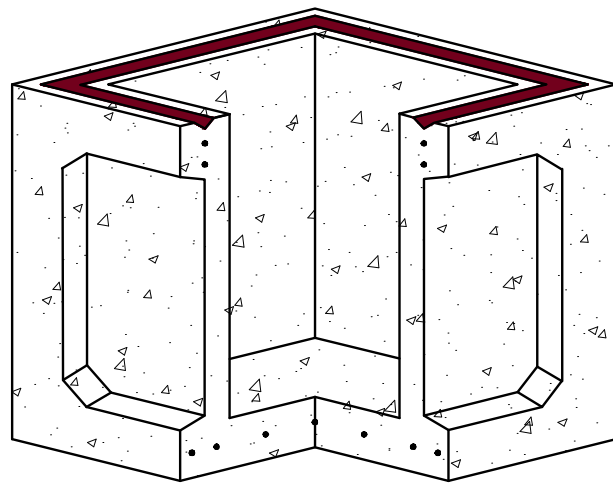


PLAN VIEW



Meets or Exceeds NCDOT 840.45

'A', 'B', 'C'
MEASUREMENTS
RANGE FROM
2'-0" TO 6'-0"
AND VARY
ACCORDING TO
STRUCTURE

General Notes

1. CONCRETE SHALL BE 4000 PSI MINIMUM
2. REINFORCING STEEL TO MEET ASTM-706 or ASTM 615 FOR GRADE 60
3. ALL PRECAST ELEMENTS SHALL MEET ASTM-C913

MANHOLE CASTINGS
FRUIT PIPE
STEEL PIPE
GEOTEXTILE FABRICS
EROSION CONTROL



MID-ATLANTIC DRAINAGE, INC

CATCH BASINS
CONCRETE
MANHOLE
CAST IRON GRATES &
FRAMES

1124 WHITE OAK LANE
GALLIWAY TERRACE
(843) 356-4206

P. O. BOX 398
MC 29543
(843) 324-0888

**CONCRETE
CATCH BASIN
WITH KNOCK
OUT PANELS**

FILE NAME KOCB001.DWG	Sheet
DATE 02.22.2010	1
DRAWN BY JSW	