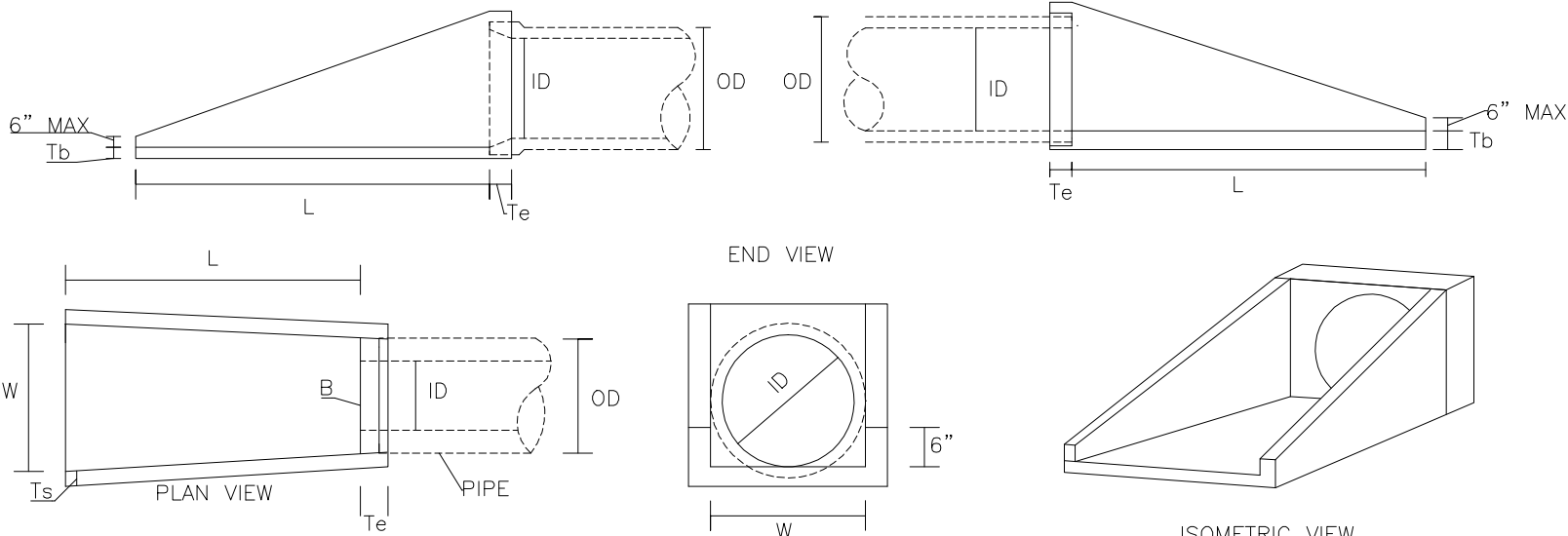


GROOVE INSTALLATION

TONGUE INSTALLATION

NO SCALE



END VIEW

ISOMETRIC VIEW

END TREATMENT DIMENSIONS							
ID	L	W	Ts	Tb	Te	OD	B
18"	6'-0"	23"	6"	6"	6"	25"	26"
24"	8'-2"	30"	6"	6"	6"	31"	32"
30"	10'-4"	37"	6"	6"	6"	37"	38"

General Notes

1. CONCRETE SHALL BE 4000 PSI MINIMUM
2. REINFORCING STEEL TO MEET ASTM-706
3. ALL PRECAST ELEMENTS SHALL MEET ASTM-C913
4. ALL OPENINGS TO HAVE ADDITIONAL #5 BARS FOR SUPPORT AS SHOWN

MANHOLE CASTINGS  
PIPE  
STEEL PIPE  
GEOTEXTILE FABRICS  
EROSION CONTROL



CATCH BASINS  
CONCRETE  
MANHOLE  
CAST IRON GRATES &  
FRAMES

**MID-ATLANTIC DRAINAGE, INC**

1124 WHITE OAK LANE  
GALLIWAY PARK, ST. ZEPHYRUS  
(843) 236-1133

105 GE PLANT ROAD  
CONWAY, NC 28863  
(842) 324-0888

**Cross Pipe End Section**

FILE NAME SCB001.DWG	Sheet
DATE 02.05.2010	1
DRAWN BY JSW	