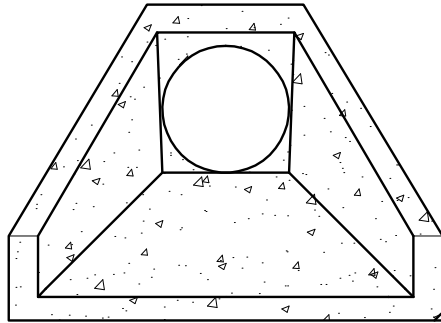
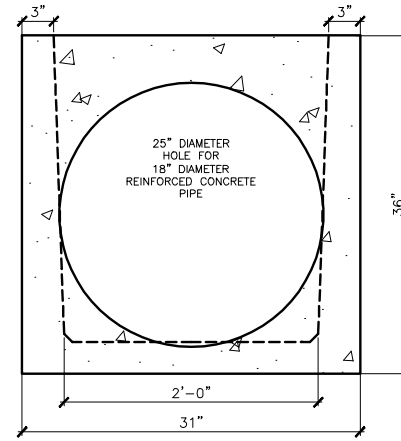


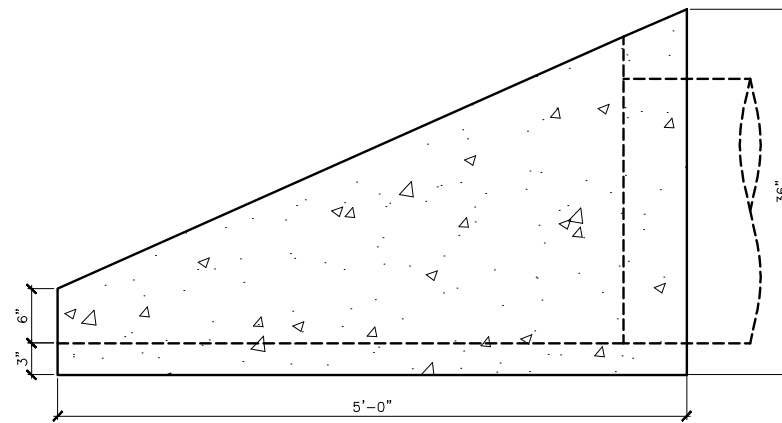
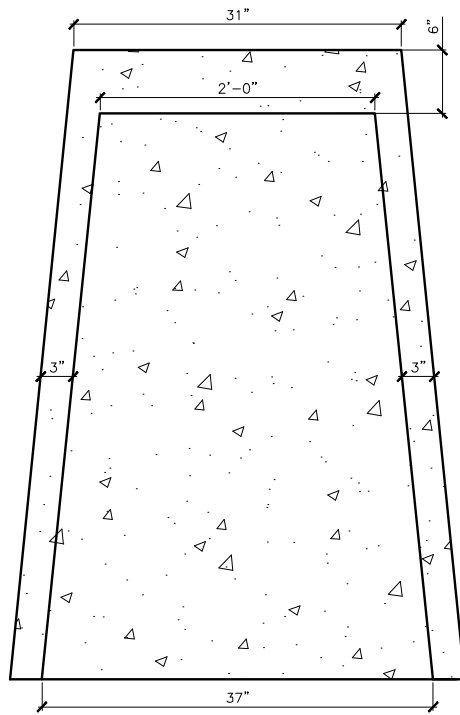
FRONT VIEW



END VIEW



PLAN VIEW



SIDE VIEW

General Notes

1. CONCRETE SHALL BE 4000 PSI MINIMUM.
2. REINFORCING STEEL TO MEET ASTM-A706 or ASTM-615 FOR GRADE 60.
3. ALL PRECAST ELEMENTS SHALL MEET ASTM-C913.



MANHOLE CASTINGS  
CAST IRON PIPE  
STEEL PIPE  
GEOTEXTILE FABRICS  
EROSION CONTROL

**MID-ATLANTIC DRAINAGE, INC**

1124 WHITE OAK LANE  
GALLIWAY TERR., 200  
(843) 356-4200

CATCH BASINS  
CONCRETE  
MANHOLE  
CAST IRON GRATES &  
FRAMES

P. O. BOX 398  
MC CONTESSA, NC 29544  
(843) 324-0888

**PRECAST CONCRETE  
FLARED END  
SECTION  
FOR 18" DIAMETER RCP**

FILE NAME: 18FES001.DWG	Sheet
DATE: 07.13.2011	1
DRAWN BY: JSW	