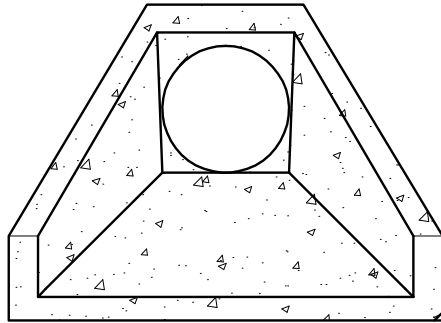
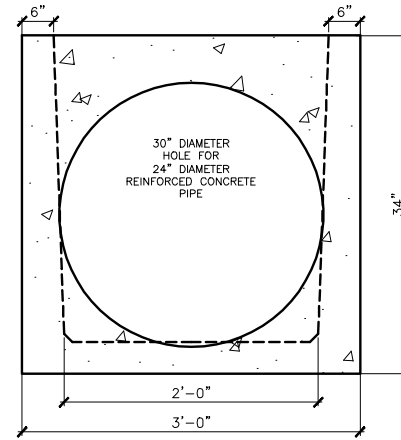


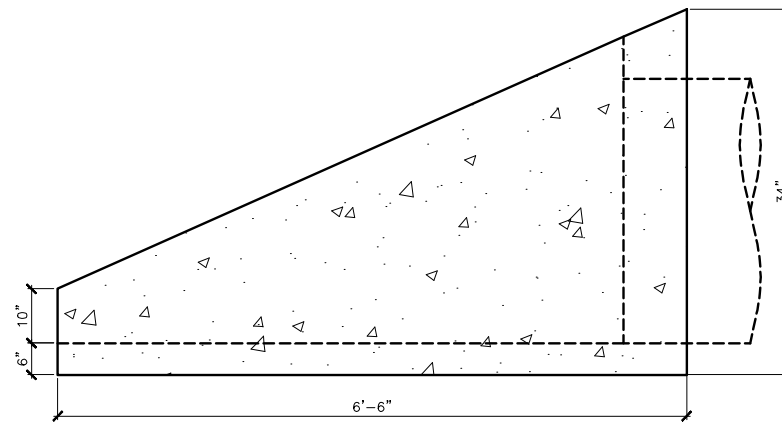
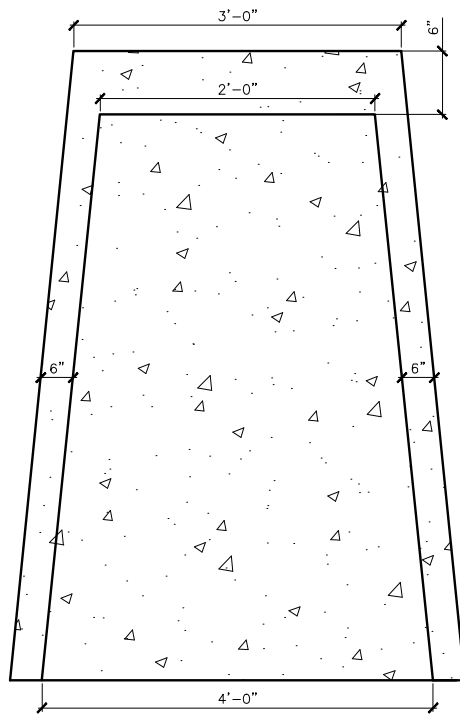
FRONT VIEW



END VIEW



PLAN VIEW



SIDE VIEW

General Notes

1. CONCRETE SHALL BE 4000 PSI MINIMUM.
2. REINFORCING STEEL TO MEET ASTM-A706 or ASTM-615 FOR GRADE 60.
3. ALL PRECAST ELEMENTS SHALL MEET ASTM-C913.

MANHOLE CASTINGS
 MANHOLE RINGS
 STEEL PIPE
 GEOTEXTILE FABRICS
 EROSION CONTROL



CATCH BASINS
 CONCRETE
 MANHOLE RINGS
 CAST IRON GRATES &
 FRAMES

MID-ATLANTIC DRAINAGE, INC

1124 WHITE OAK LANE
 GALLIWAY TERRACE
 (843) 356-4200

P. O. BOX 398
 NC 28163
 (843) 324-0888

**PRECAST CONCRETE
 FLARED END
 SECTION
 FOR 24" DIAMETER RCP**

FILE NAME: 24FES001.DWG	Sheet
DATE: 07.13.2011	1
DRAWN BY: JSW	